



ESBE AB
Bruksgatan 22
SE-333 75 Reftele
www.esbe.eu



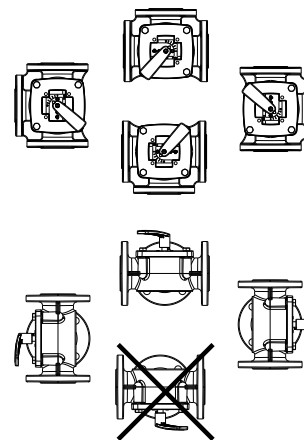
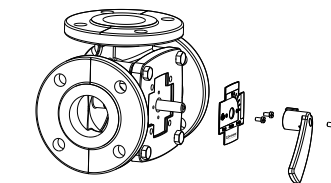
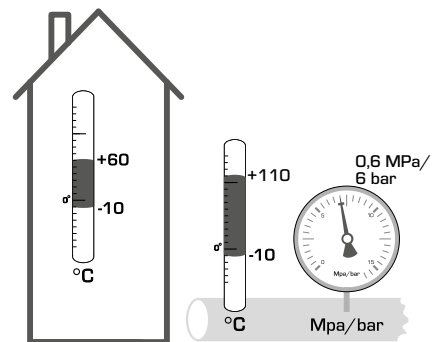
SERIES 3F, 4F



Series 3F, 4F

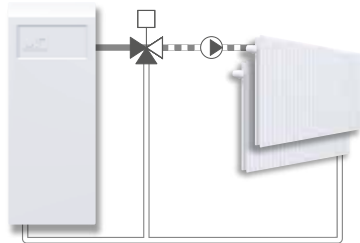
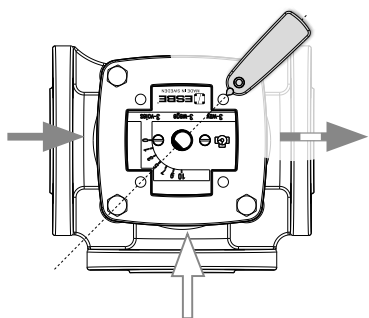
PED 2014/68/EU, article 4.3

SI 2016 No. 1105

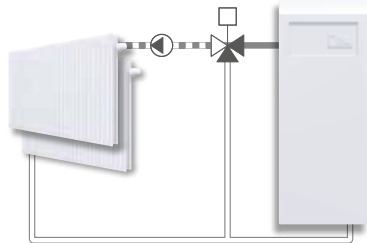
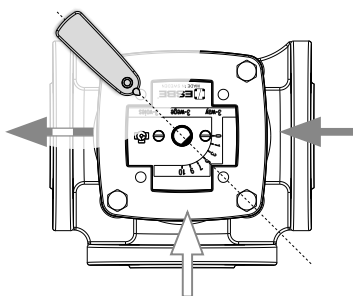


Mtrl.n: 98141022 • Ritn.n: 9288 vers. C • Rev. 2023-06-12

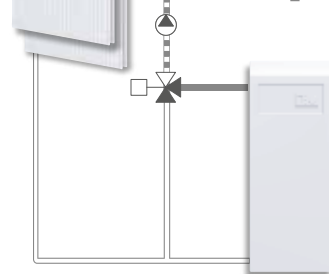
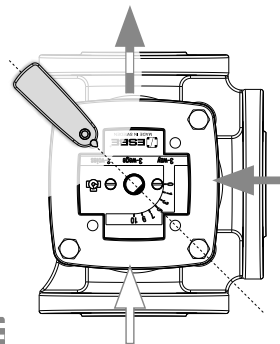
1a



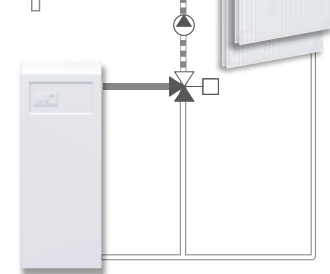
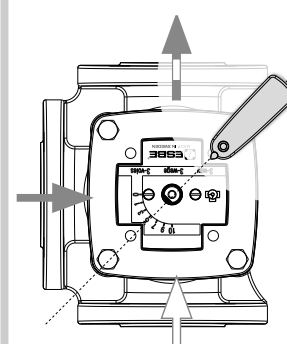
1b

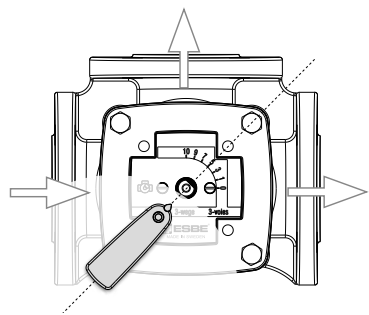
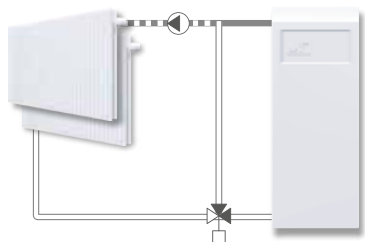
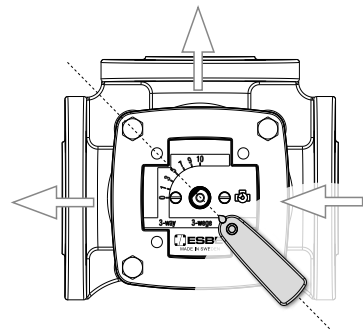
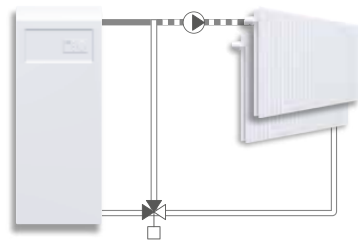
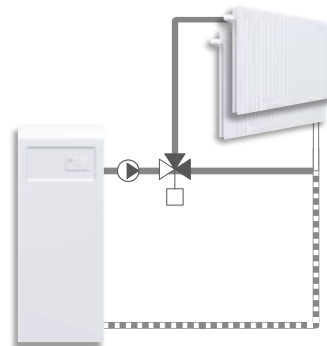
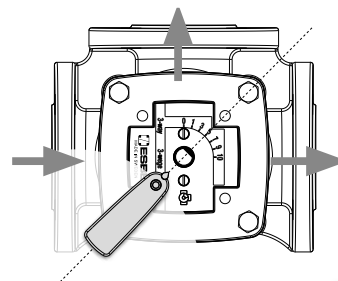
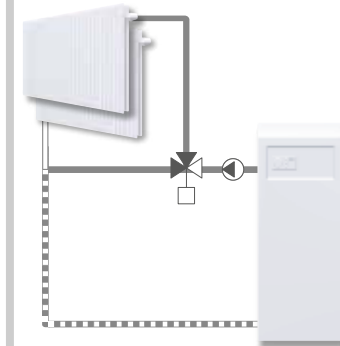
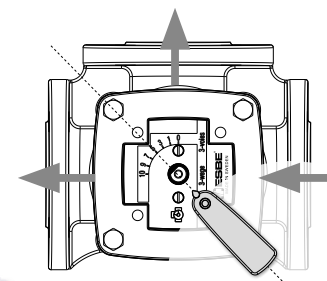
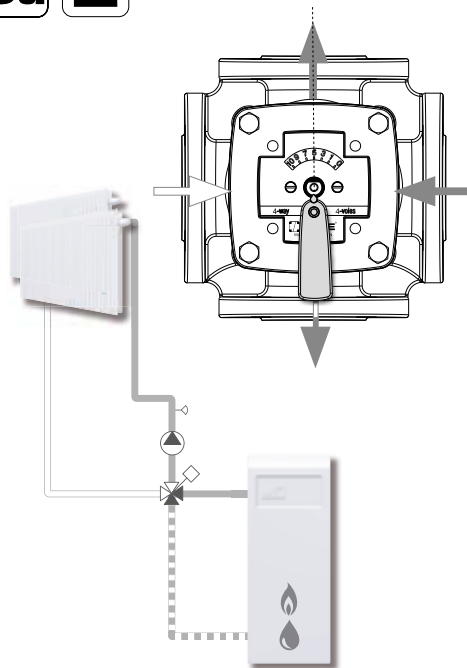
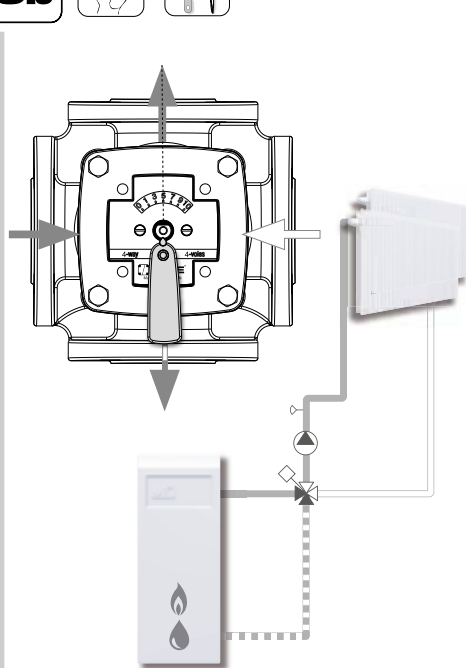
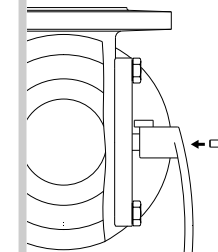
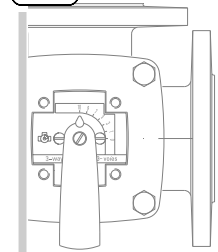


2a



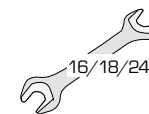
2b



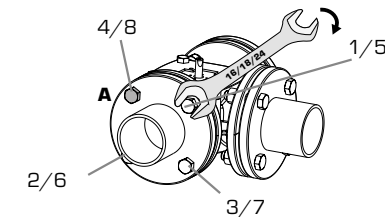
3a**3b****4a****4b****5a****5b****6****i****i**

16/18/24

| DN | 1-4 | 5-8 | ⌀ A |
|-----|-------|--------|--------|
| 20 | | | 4x11,5 |
| 25 | | | 4x11,5 |
| 32 | 30 Nm | 60 Nm | 4x15 |
| 40 | | | 4x15 |
| 50 | | | 4x15 |
| 65 | | | 4x15 |
| 80 | 60 Nm | 120 Nm | 4x18 |
| 100 | | | 4x18 |



| DN | 1-8 | 9-16 | ⌀ B |
|-----|-------|--------|------|
| 125 | 60 Nm | 120 Nm | 8x18 |
| 150 | | | 8x18 |

DN20-DN100**DN125-DN150**