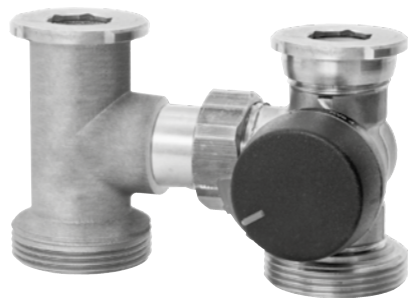




ESBE AB  
Bruksgatan 22  
SE-333 75 Reftele  
www.esbe.eu



**SERIES VRH130**

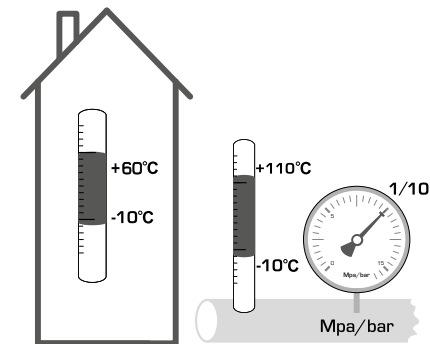


Series VRH130

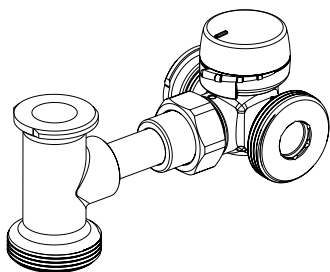
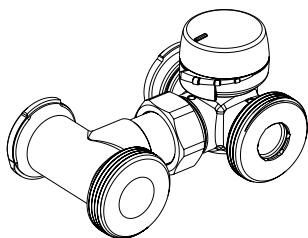
PED 2014/68/EU, article 4.3

SI 2016 No. 1105

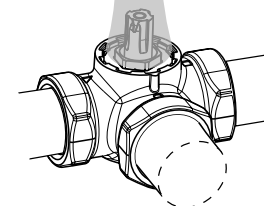
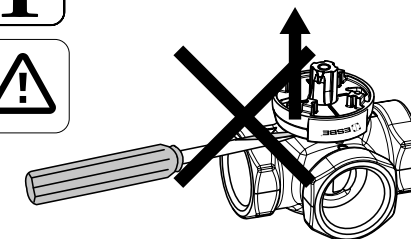
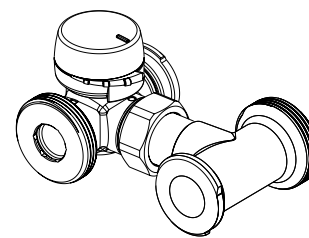
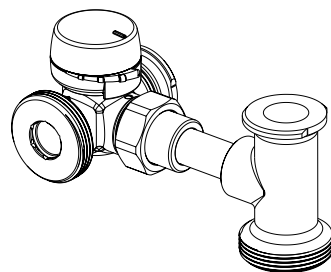
Mtrl.nr: 98140848 • Ritn.nr: 7420 • vers. C • Rev. 2023-06-12

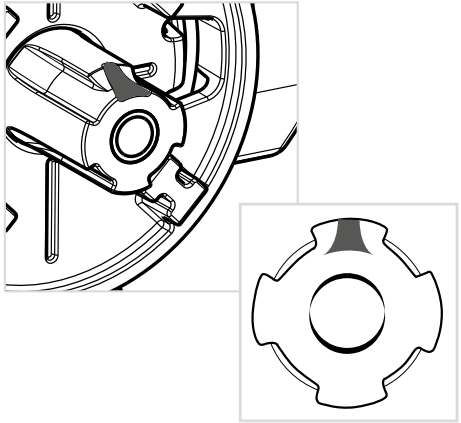
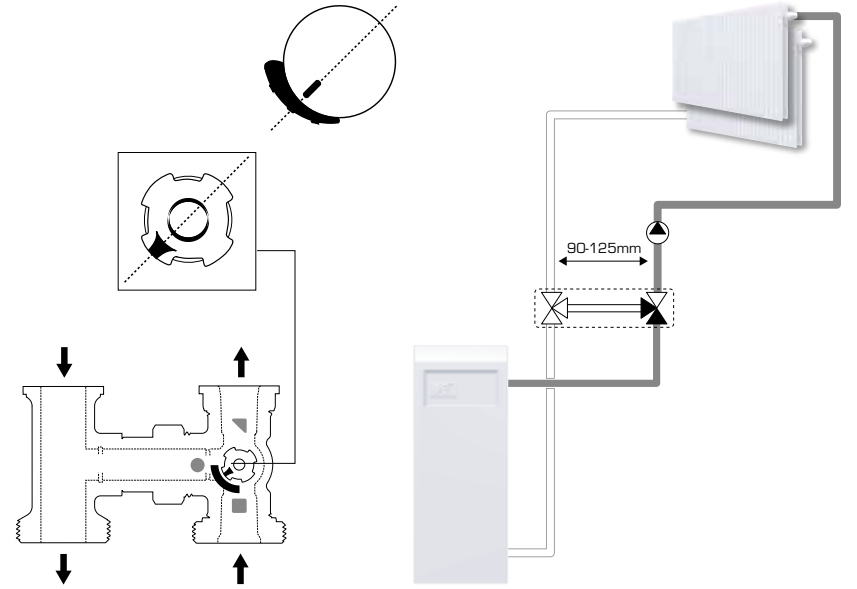
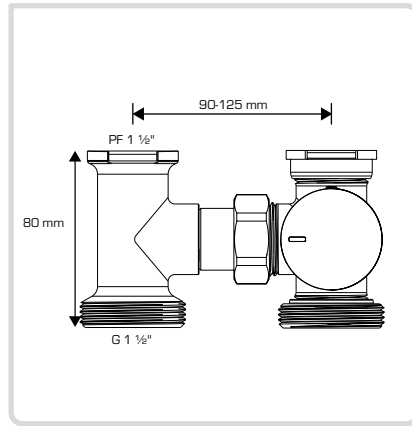
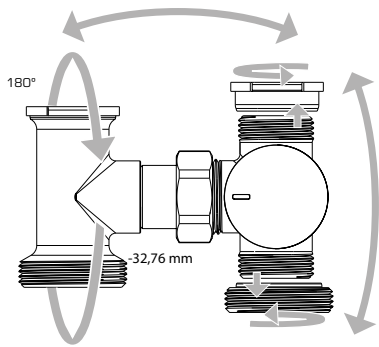
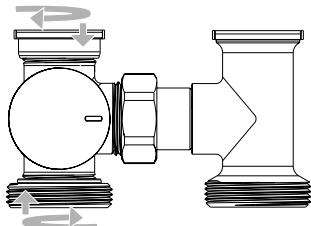


**A**



**B**



**i****A****B****1****2****=****B**