

COMPLEMENTARY PRODUCTS

# SAFETY VALVE SERIES VSB100

ESBE safety valves series VSB100 are intended for protection against excess pressure in domestic hot water applications.

Externally threaded inlet connections with compression fittings on the outlet are provided in DN15.



External thread/  
compression fitting

## OPERATION

ESBE safety valves series VSB100 are used to secure domestic hot water systems against excess pressure. When choosing safety valve the effect marking on the safety valve must exceed the nominal effect of the vessel. ESBE safety valves carry CE-marking.

If the temperature of the heating medium is lower than the boiling temperature corresponding to the maximum allowed pressure of the heater, the safety valve needs only to be dimensioned for the thermic expansion of the water. If the temperature of the heating medium is higher than the boiling temperature corresponding to the maximum allowed pressure of the heater, the valve must be dimensioned to discharge the whole steam flow at the maximum added effect. The maximum capacity of heaters for which it is intended is marked on the safety valve.

## MOUNTING

If several heaters are used, and if they may be shut off independently of each other, each heater should be equipped with a safety valve. In order to observe the valve in operation, the installation of a funnel is always recommended, and in some instances also mandatory. Please make sure all installations of valves, exhaust pipes, funnels etc are made in accordance with applicable codes and ordinances.

## TECHNICAL DATA

Pressure class: \_\_\_\_\_ PN 16

Temperature: \_\_\_\_\_ max. 95°C

\_\_\_\_\_ min. 0°C

Connection: \_\_\_\_\_ External thread (R), EN 10226-1

\_\_\_\_\_ Compression fitting (CPF), EN 1254-2

### Material

Valve housing and other metal parts with fluid contact:

\_\_\_\_\_ Dezincification resistant brass, DZR\*

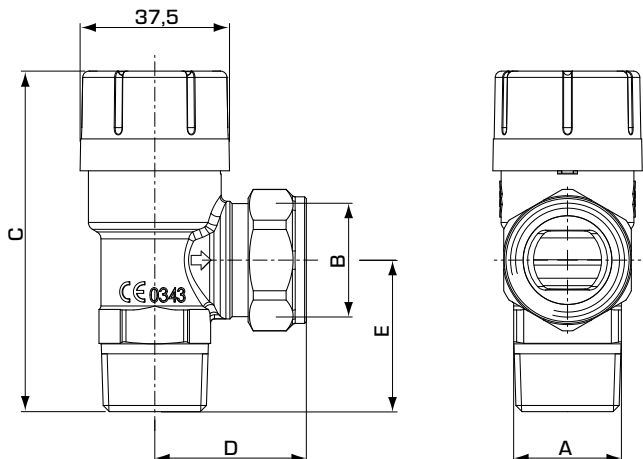
\* Suitable for drinking water applications

CE PED 2014/68/EU



SI 2016 No. 1105

4MS/UBA  
4MS/KTW-BWGL



## SERIES VSB132, EXTERNAL THREAD AND COMPRESSION FITTING

Art. No.	Reference	Opening pressure		Blow-off capacity*		DN	Connection					Weight [kg]
		[MPa]	[bar]	[kW] <sup>1)</sup>	[l/h] <sup>2)</sup>		A	B	C	D	E	
36020100	VSB132	0,6	6,0	75	76	15	R 1/2"	CPF 15 mm	81,2	40,5	34,0	0,18
36020400		0,9	9,0									
36020500		1,0	10,0									

\* given at specified pressure +20% CPF = compression fitting  
Note 1) Acc. to EN-1491 § 9 2) Acc. to EN-1491 § 6.2.4