

# ACTUATOR SERIES ALB100

ESBE series ALB is specially designed for applications which require a high resolution and high velocity.



ALB100  
3-point/Proportional

## OPERATION

ESBE series ALB is either controlled by a 3-point (increase/decrease) signal or by a proportional (0..10V, 2..10V) signal. Proportional control signal gives a fast actuator.

The electronic circuitry of the actuator ensures that the running time is the same, regardless of the stroke of the valve in question.

It is easy to mount and connect the actuator. It can be mounted directly onto ESBEs control valves, without any linkage kit.

The working range of the actuator is adjusted automatically depending on the stroke of the valve. The electronic circuitry of the actuator then takes care of the adjustment of the valve end positions.

## FUNCTION

– The actuator

The actuator receives a control signal from a controller. The screw transmits a linear movement which moves the stem of the valve.

– Manual operation

There is a manual operation handle on the actuator. When it is lowered, the motor stops. The actuator can then be operated manually if the handle is turned.

– Position feedback

The actuator is equipped with a 2–10V DC position feedback signal, where 2V always corresponds to the closed position and 10V to the open position.

– End position contacts

At sequence control the end position contacts could be used to switch entirely at closed respectively fully open positions.

## ADAPTOR KITS

No linkage kits are required for the fitting to ESBE valves.

Adaptor kits for other valves are available as follows:

Art. No.

26000200 \_\_\_\_\_ Siemens VVF 31, VXF 31, VVG 41, VXG 41,  
 \_\_\_\_\_ VVF 52, VVF 61, VXF 61, VVF 45,  
 \_\_\_\_\_ VVF 51, VXF 11, VVG 11, VFG 34

## OPTIONS

Art. No.

26200700 \_\_\_\_\_ End position contacts, 24 V

## TECHNICAL DATA

Supply voltage: \_\_\_\_\_ 24 V AC/DC ±10%, 50/60 Hz

Power consumption: \_\_\_\_\_ 15 VA

Running time by proportional signal

Valve with stroke 10–25 mm: \_\_\_\_\_ 15 s

Valve with stroke 10–32 mm: \_\_\_\_\_ 20 s

Valve with stroke 10–52 mm: \_\_\_\_\_ 30 s

Running time by increase/decrease signal: \_\_\_\_\_ 300 s/60 s

Stroke: \_\_\_\_\_ 10–52 mm

Force: \_\_\_\_\_ 800 N

Duty cycle: \_\_\_\_\_ max. 20%/h

Output Y, Voltage: \_\_\_\_\_ 2–10 V (0–100%)

Ambient temperature: \_\_\_\_\_ -10°C – +50°C \*

Ambient humidity: \_\_\_\_\_ max. 90% RH

Enclosure rating: \_\_\_\_\_ IP 54

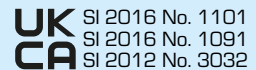
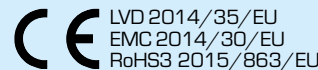
Material

Cover: \_\_\_\_\_ Plastic / Metal

Housing: \_\_\_\_\_ Aluminum

Weight: \_\_\_\_\_ 1,8 kg

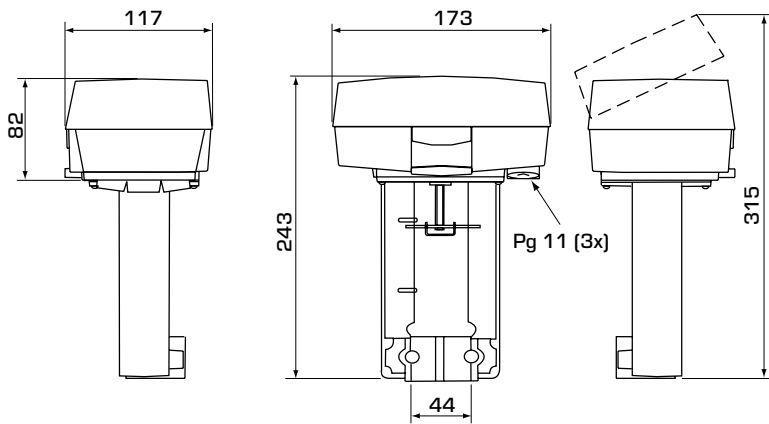
\* If the actuator is used in applications with media temperatures below 0°C, the valve should be equipped with a stem heater.



## WIRING

Please see the Installation Instruction

# ACTUATOR SERIES ALB100



## SERIES ALB144, PROPORTIONAL OR 3-POINT CONTROL SIGNAL 24 V AC

Art. No.	Reference	Supply voltage [V]	Force [N]	Power consumption [VA]	Note
22050100	ALB144	24 V AC/DC, 50/60Hz	800	15,0	1)

Note 1) 0...10 V, 2...10 V or 3-point control signal.