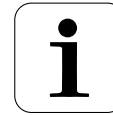




SERIES VRCx60

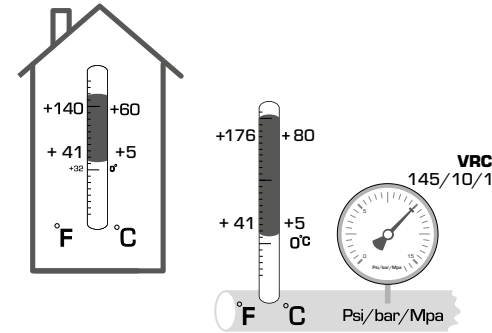


Mtrl.nr. 9814 10 50 • Ritn.nr. 4826 vers A • Rev. 1903

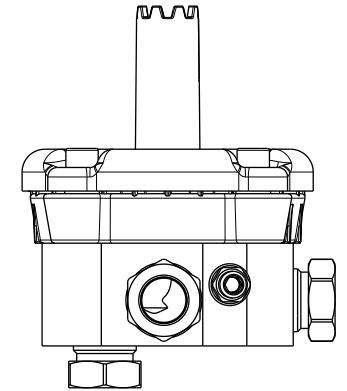


Series VRC160
Series VRC260

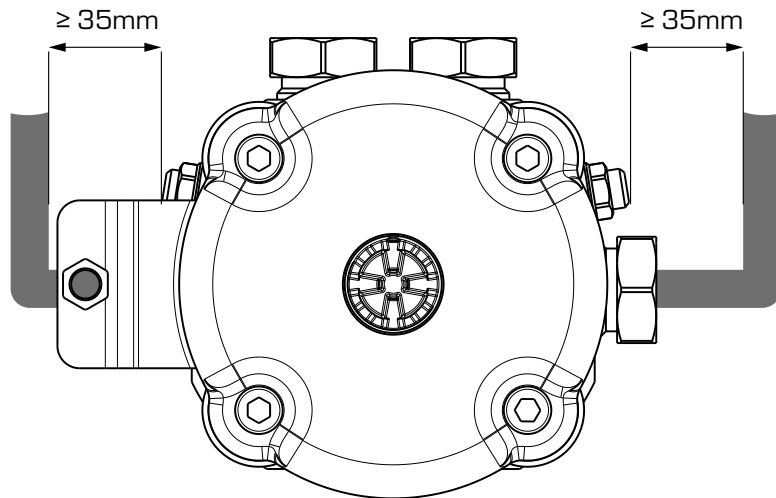
PED 2014/68/EU, article 4.3



1



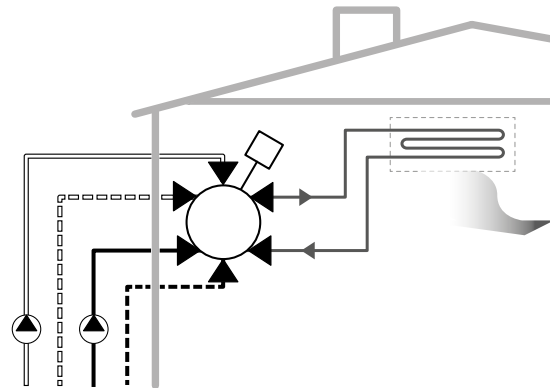
i



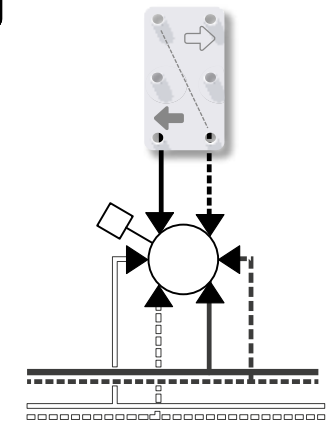
i

a



Piping Schematics are General Representations

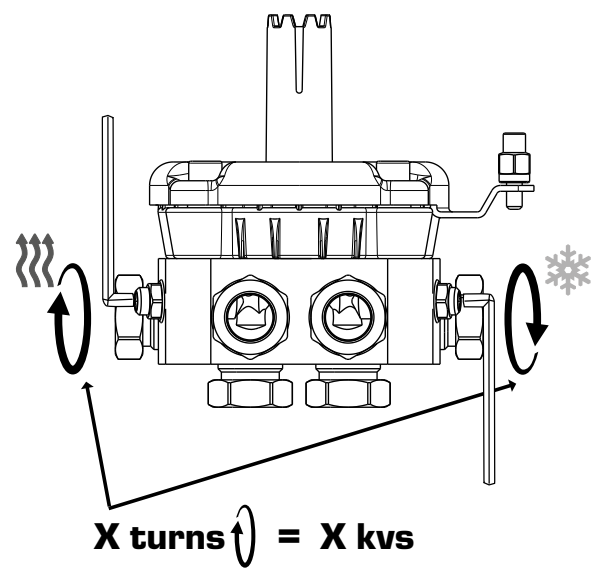


b

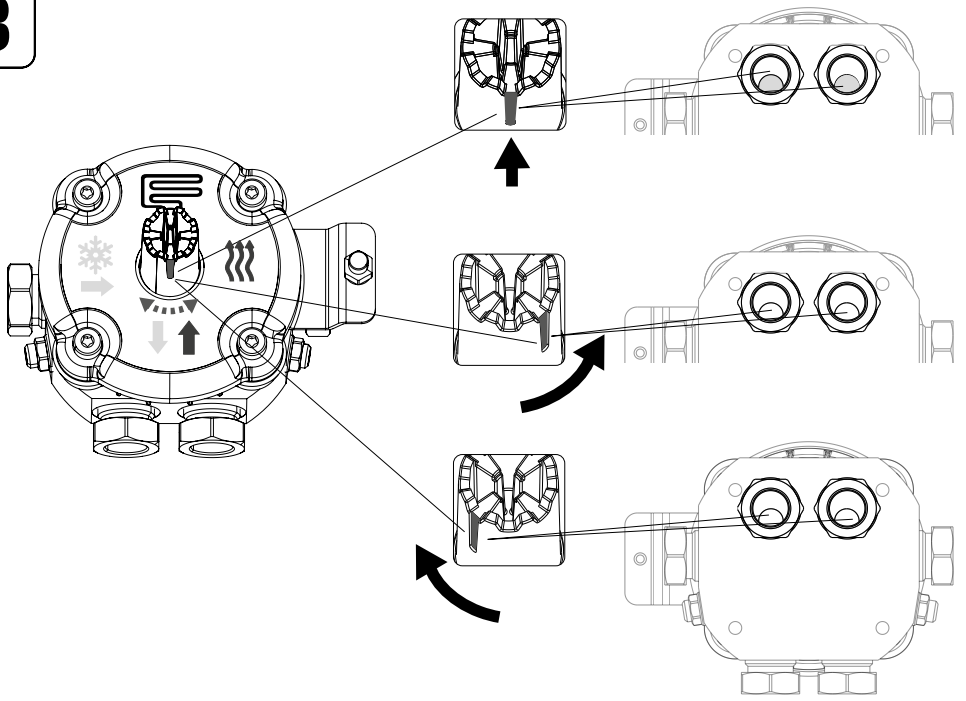


2

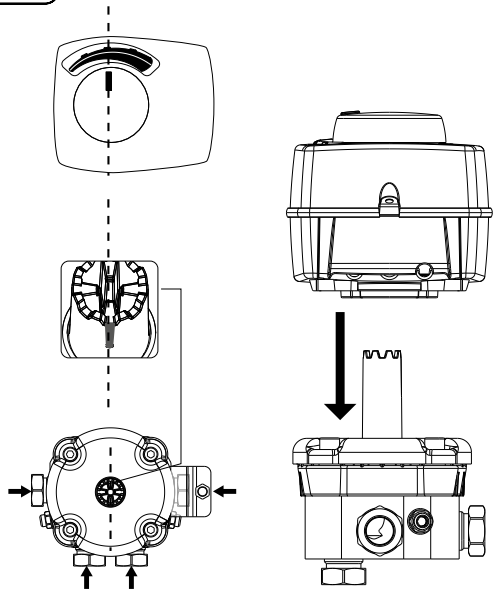
		Number of turns							
		A	B	C	D	E	F	G	H
	Turns	1/2	3/4	1	1 1/4	1 1/2	2	3	4
	Kvs [m ³ /h]	0,042	0,072	0,116	0,171	0,24	0,327	0,6	0,9



3



4



i



<http://www.esbe.eu/global/en/products/rotary-valves>