

MANIFOLD SERIES GMAx00



PRODUCT DESCRIPTION

The following assortment is dedicated to circulation Units DN25/32 and Flexi. The product line contain manifolds for 2, 3, 4 and 5 heating circuits; manifolds with integrated hydraulic separation for 2 and 3 heating circuits as well hydraulic separation for systems with boilers equipped with pumps to balance the flow. All manifolds have high class insulation shell and thermic separation to increase the system performance.

The hydraulic separation and the manifolds with integrated hydraulic separation have additional connection which allows connection for e.g. sensor, safety group etc. All connections are colour coded for easy and quick connection to the system and circulation units. All products are delivered with wall brackets.

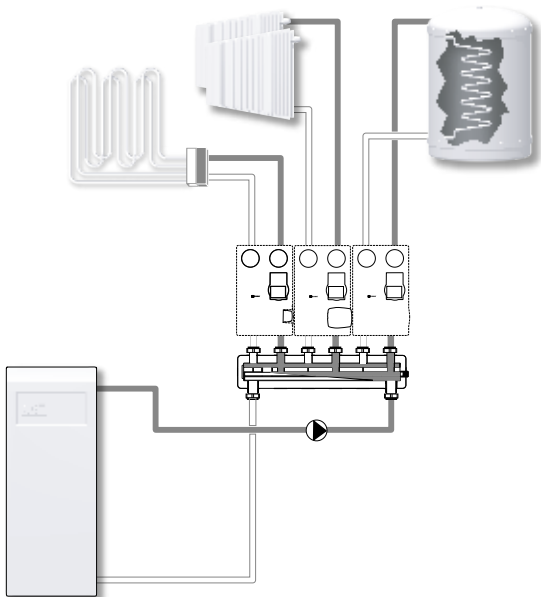
KEY BENEFITS

- Colour coded connections
- Thermal separation
- Additional connection
- High class insulation shell
- Low pressure drop

SERVICE AND MAINTENANCE

The manifold does not require any specific maintenance under normal conditions.

INSTALLATION EXAMPLES



GMA411

for 1 unit,

with integrated hydraulic separator function.

GMA521

Manifold for 2 units,

GMA531

Manifold for 3 units,



GMA421

Manifold for 2 units,

without integrated hydraulic separator function.



GMA431

Manifold for 3 units,



GMA441

Manifold for 4 units,

without integrated hydraulic separator function.

GMA451

Manifold for 5 units,

TECHNICAL DATA

Pressure class: _____ PN 6
 Media temperature: _____ max. +110°C
 _____ min. 0°C
 Working pressure: _____ 0,6 MPa (6 bar)
 Standard outlet spacing: _____ 125 mm
 Flow rate: _____ see graph

Material:



Components in contact with water: __ Black coated steel S235
 Insulation: _____ EPP λ 0,036 W/mK

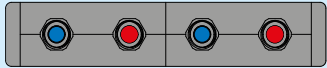
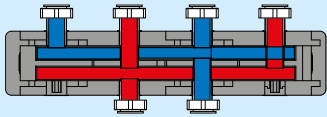
PED 2014/68/EU, article 4.3 / SI 2016 No. 1105 (UK)

MANIFOLD

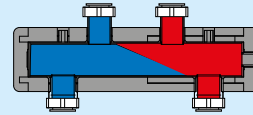
SERIES GMAx00

FLOW ILLUSTRATIONS

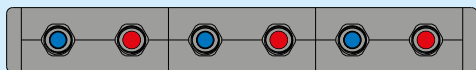
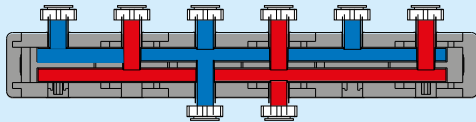
Return  Supply 



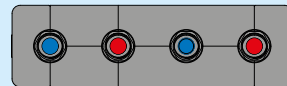
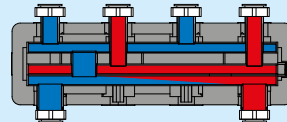
GMA421



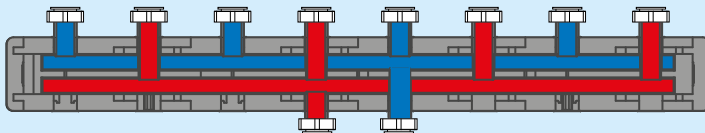
GMA411



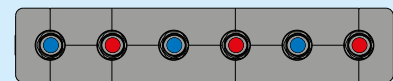
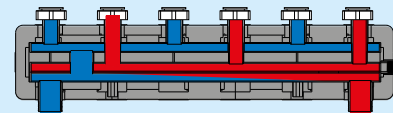
GMA431



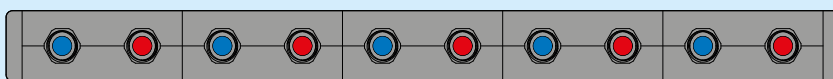
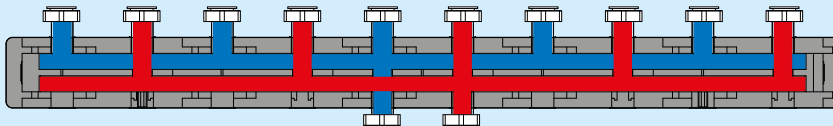
GMA521



GMA441



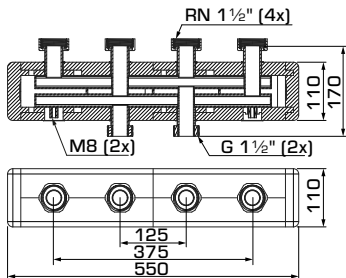
GMA531



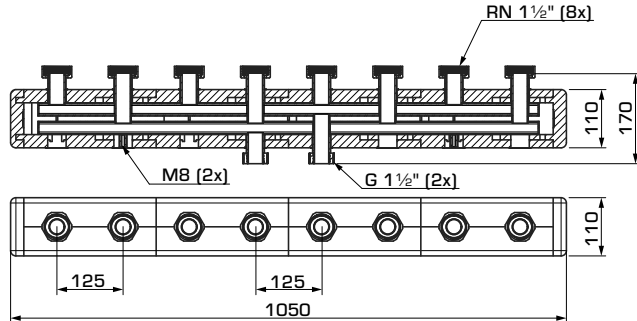
GMA451

MANIFOLD SERIES GMAx00

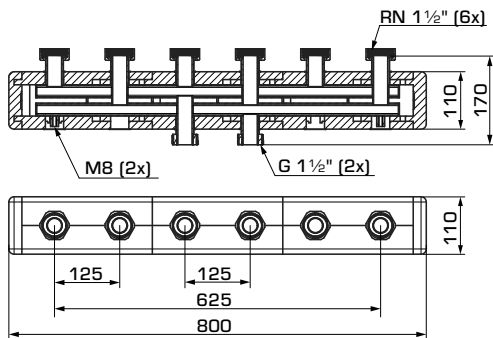
PRODUCT ASSORTMENT



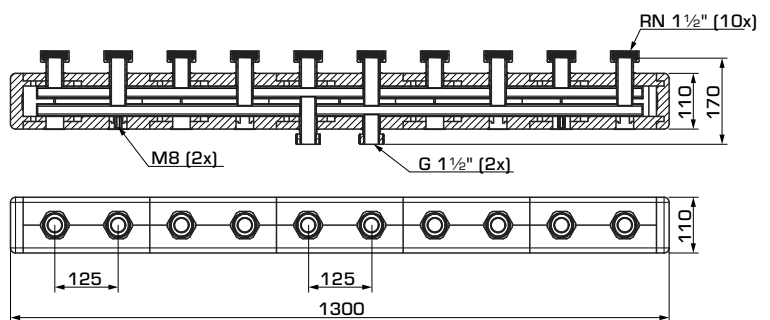
GMA421



GMA441



GMA431



GMA451

ESBE Manifolds without hydraulic separator

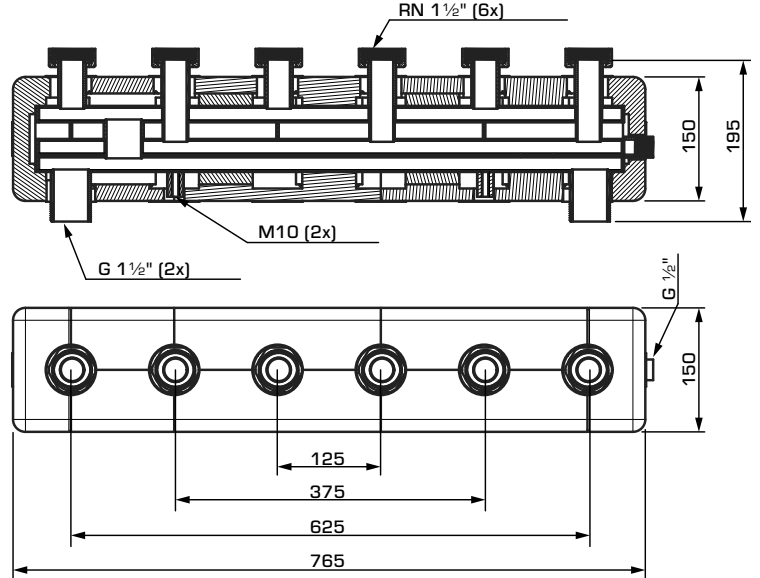
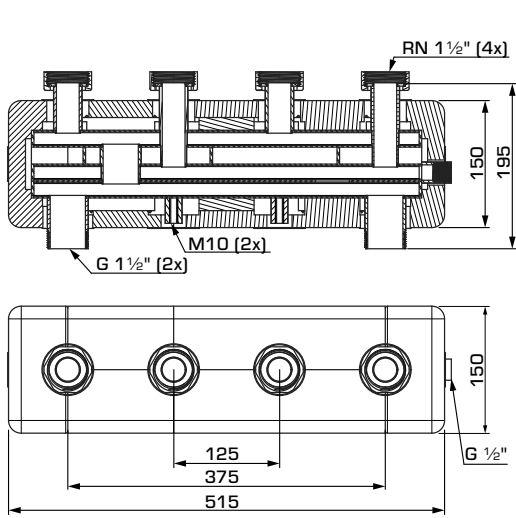
Art. No.	Reference	No. of circulation units	Connections		With hydraulic separator	Weight [kg]	Note
			To system	From Heat source			
66001200	GMA421	2	RN 1 1/2"	G 1 1/2"	No	5,6	
66001300	GMA431	3				7,3	
66001400	GMA441	4				9,9	1)
66001500	GMA451	5				11,8	1)

* RN = Rotating nut

Note 1) Products on the request have a longer lead time, in order to know the delivery time please contact our customer service for more information

MANIFOLD SERIES GMAx00

PRODUCT ASSORTMENT



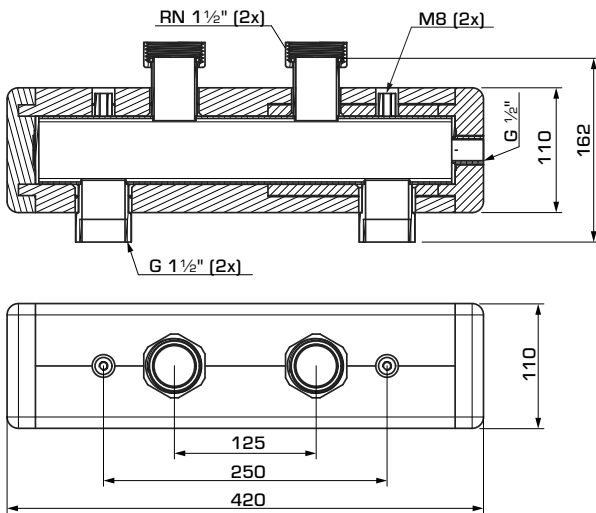
GMA521

GMA531

ESBE Manifolds with hydraulic separator

Art. No.	Reference	No. of circulation units	Connections		With hydraulic separator	Weight [kg]	Note
			To system	From Heat source			
66001600	GMA521	2	RN 1 1/2"	G 1 1/2"	Yes	8,2	
66001700	GMA531	3					

* RN = Rotating nut



GMA411

ESBE Hydraulic separation

Art. No.	Reference	No. of circulation units	Connections		With hydraulic separator	Weight [kg]	Note
			To system	From Heat source			
66001100	GMA411	1	RN 1 1/2"	G 1 1/2"	Yes	4,3	

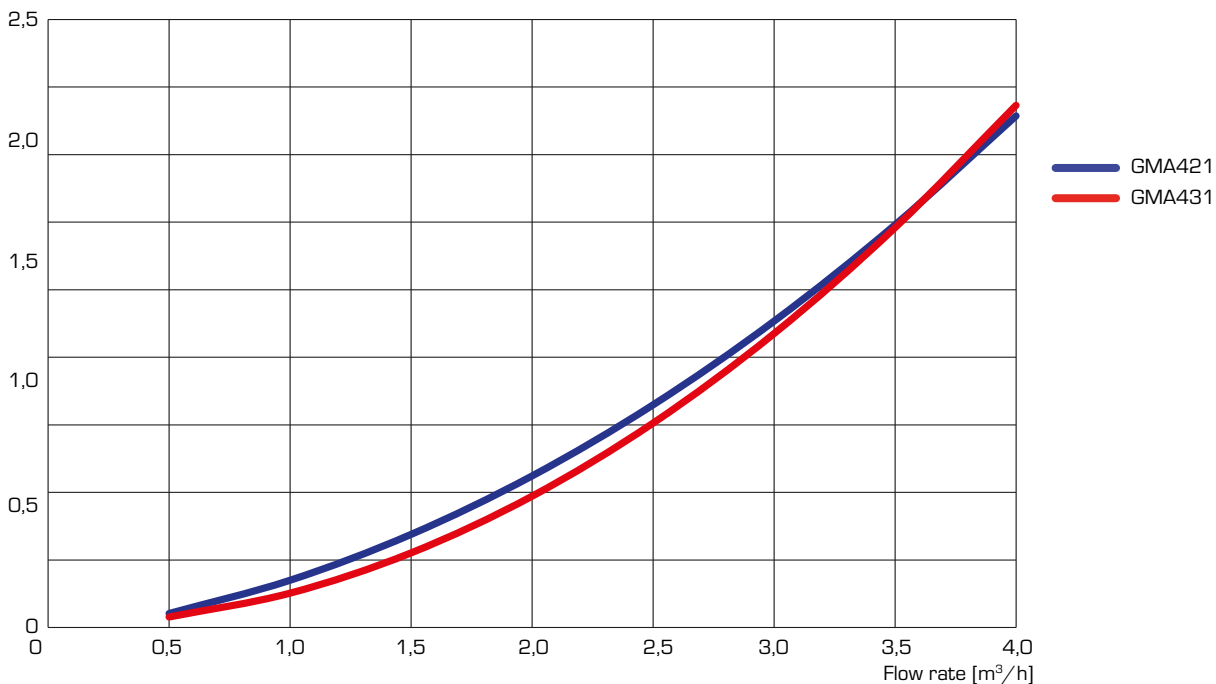
* RN = Rotating nut

MANIFOLD SERIES GMAx00

DIMENSIONING

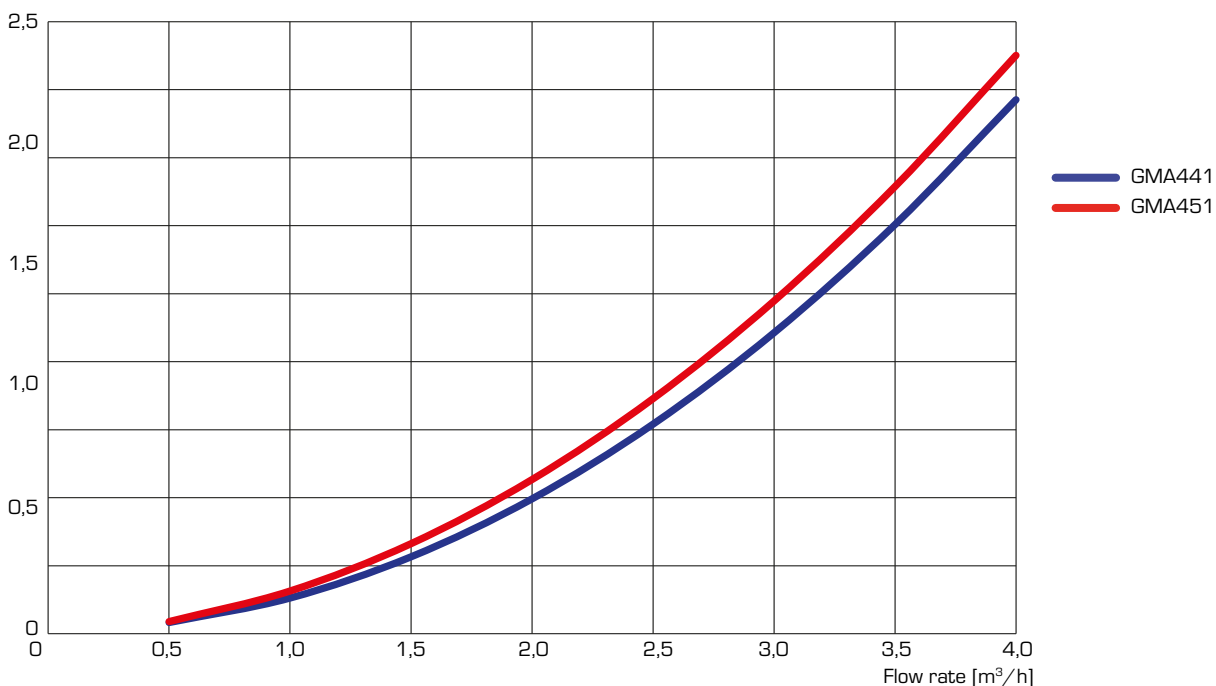
GMA421, GMA431 – Manifolds without integrated hydraulic separator function.

Pressure loss
[kPa]



GMA441, GMA451 – Manifolds without integrated hydraulic separator function.

Pressure loss
[kPa]



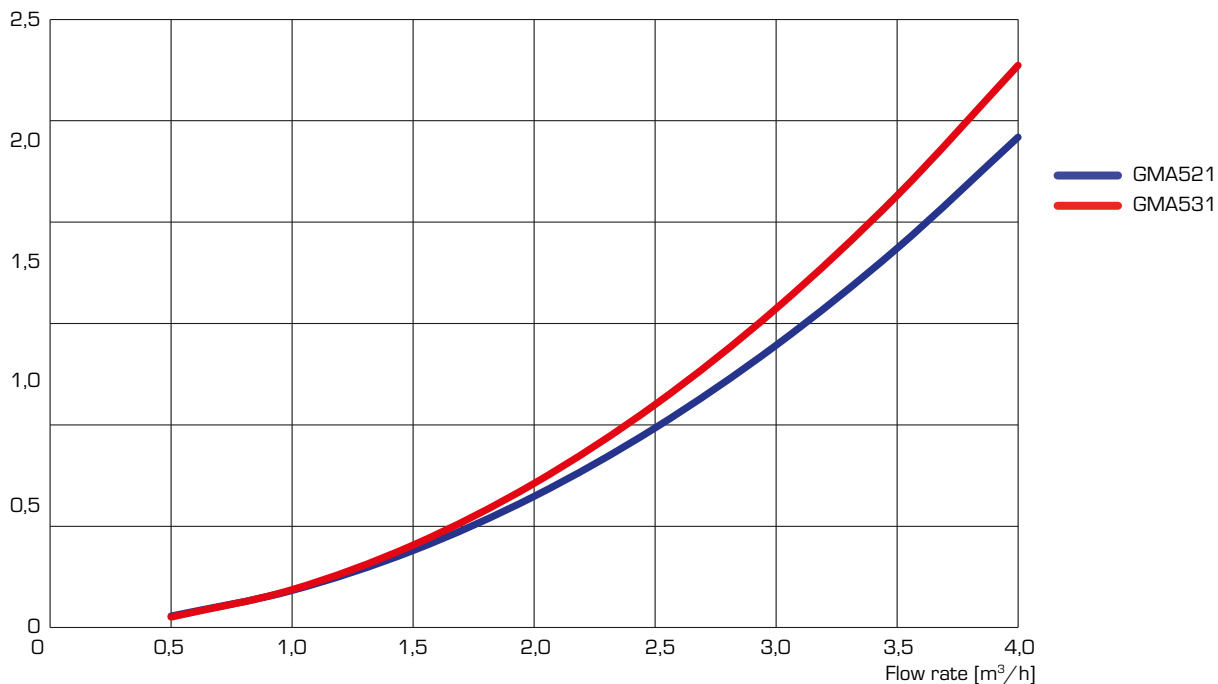
MANIFOLD

SERIES GMAx00

DIMENSIONING

GMA5X1 – Manifolds with integrated hydraulic separator function.

Pressure loss
[kPa]



GMA411 – Hydraulic separation

Pressure loss
[kPa]

