

CONTROLLERS

CONTROLLER SERIES CRD100

ESBE series CRD100 is a combined weather compensating and indoor sensor based controller with an advanced adaptation to make it really simple for the user who only need to decide the indoor temperature.

OPERATION

The ESBE series CRD100 is designed to provide a high level of comfort and at the same time save energy for the house owner, this is accomplished by using the input from both the outdoor- as well as the indoor sensor. The controller include an advanced adaptation that will build the ideal characteristic heating curve for the specific building so that the user only need to decide one thing, the required indoor temperature.

The controller consist of three parts, the actuator unit, the room display unit and the outdoor sensor.

- Room display unit in modern design, which contains the indoor temperature sensor and in which all settings, such as day to day climate adjustments as well as the internal day and weekly program, are set.
- The actuator unit is connected to the room display unit by wireless radio connection for easy installation. To provide the best comfort, the room display should be placed in a central open area in the house, out of direct sunlight.
- Outdoor sensor with 20 m cable. The sensor shall be mounted on the north side of the building under the eaves in order to protect the sensor from direct sunlight and rain.

With the inbuilt timer, with day and week program, there are possibilities to have day and night settings with an alternative temperature for even further energy savings. The alternative temperature can also be activated by an external equipment, for example the ESBE GSM-module CRB915. With this equipment the target temperature can be changed easily from a cell phone.

MOUNTING

Power supply by 230 V AC adapter (complete with transformer, cable and wall socket plug).

Flow pipe sensor comes with 1,5m cable included (longer cable available as accessory). The sensor must be carefully insulated from ambient temperature.

Thanks to the special interface between the controller series CRD100 and the ESBE series VRG, VRH and VRB, the unit as a whole has a unique stability and precision when regulating.

OPTIONAL EQUIPMENT

Art. No.
17053100 _____ CRA911 Flow pipe sensor, 5m cable



CRD122
Wireless, timer

SUITABLE MIXING VALVES

- Series VRG100
 - Series VRG200
 - Series VRG300
 - Series VRH100
 - Series VRB100
 - Series MG*
 - Series G
 - Series F ≤ DN50
 - Series BIV
 - Series T and TM
 - Series H and HG
- * Not 5MG

ADAPTOR KITS

Required adaptor kits for easily fitting onto an ESBE rotary mixing valve series VRG, VRB and VRH is supplied with each controller. Adaptor kits can also be ordered separately.

Art. No. _____ ESBE valve series
VRG, VRH, VRB, G, MG, F, BIV, T, TM, H, HG

Adaptor kits for other mixing valves are available as follows:
Art. No.

16000600 _____ Meibes
16000700 _____ Watts
16000800 _____ Honeywell Corona
16000900 _____ Lovato
16001000 _____ PAW
16001100 _____ Wita Minimix, Maximix

TECHNICAL DATA

Ambient temperature: _____ max. +55°C
_____ min. -5°C
Sensors: _____ Temperature sensor type NTC
Temperature range:
Flow pipe sensor _____ +5 to +95°C
Room sensor _____ +5 to +30°C
Outdoor sensor _____ -50 to +70°C
Enclosure rating - Actuator unit: _____ IP41
- Room display unit: _____ IP20
Protection class: _____ II
Power supply - Actuator unit: _____ 230 ± 10% VAC, 50 Hz
- Room display unit - wireless: _____ 2x 1,5 V LR6/AA
Power consumption - 230 V AC: _____ 10 VA
Battery endurance, wireless room display unit: _____ 1 year
Torque: _____ 6 Nm
Running time at max. speed: _____ 30s
ErP Temperature controls class: _____ VII
Energy efficiency contribution: _____ 3,5%
Radio frequency CRD120: _____ 868MHz
_____ ITU region 1 approved acc. to EN 300220-2

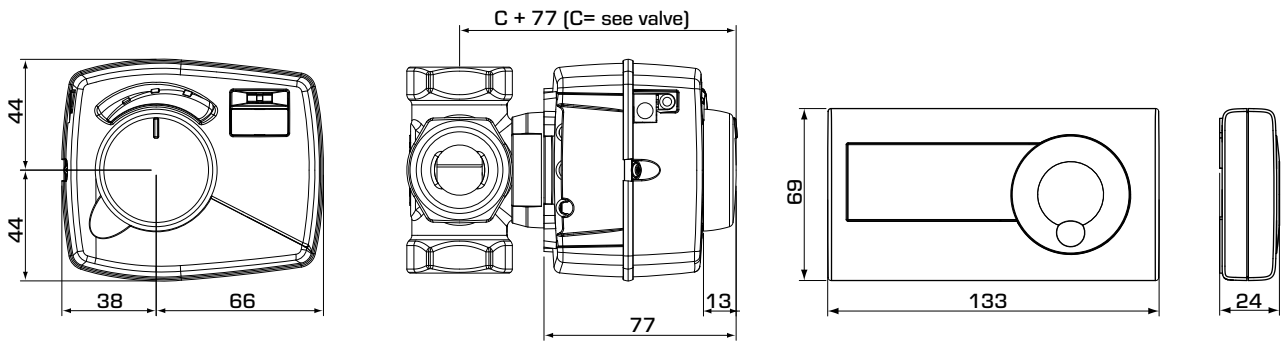
CE LVD 2014/35/EU
EMC 2014/30/EU
RoHS 2011/65/EU
RED 2014/53/EU

UK CA EAC



CONTROLLERS

CONTROLLER SERIES CRD100



Installation dimensions for Controller Series CRD100 with ESBE VRG100, VRG200, VRG300;VRH100 and VRB100 mixing valves

Installation dimensions for Room display units

SERIES CRD100

Art. No.	Reference	Voltage [V AC]	Torque [Nm]	Room display unit	Weight [kg]	Note	Replaces
12682200	CRD122	230	6	Wireless	1,2		

INSTALLATION EXAMPLES

