

MANIFOLD SERIES VMA200

ESBE manifolds series VMA are equipped with connections for safety valve, draining valve, filling valve and vacuum valve for use in cold water installations.



Compression fitting/
internal thread

OPERATION

The valve is intended for use as an inlet valve in domestic hot water systems. The valve has built-in shut-off and check valve functions with backflow protection type EB complying with EN1717. The end connections are in the form of compression fittings.

Articles in series VMA213 are provided with three internal threaded connections DN15 for connection of safety valve (VSB), draining valve (VDA/VDB), vacuum valve (VVA), filling valve (VFA) etc.

TECHNICAL DATA

Pressure class: _____ PN 16
 Max. working temperature: _____ 100°C
 Connection: _____ Internal thread (G), ISO 228/1
 _____ Compression fitting (CPF), EN 1254-2

Material

Valve housing and other metal parts with fluid contact:

_____ Dezincification resistant brass, DZR*

Seat seal: _____ EPDM

O-rings: _____ EPDM

Knob: _____ Plastic

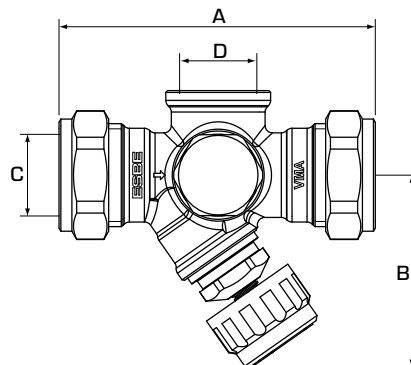
Regulating cone: _____ Plastic (PPA)

* Suitable for drinking water applications

PED 2014/68/EU, article 4.3 / SI 2016 No. 1105 (UK)

4MS/UBA

4MS/KTW-BWGL



SERIES VMA200

Art. No.	Reference	DN	Kvs	Connection		Dimension		Weight [kg]
				C	D	A	B	
36401000	VMA213	15	2,5	CPF 15 mm	G 1/2"	86	53	0,30
36401100	VMA213	20	3,5	CPF 22 mm	G 1/2"	86	53	0,35

CPF = compression fitting