

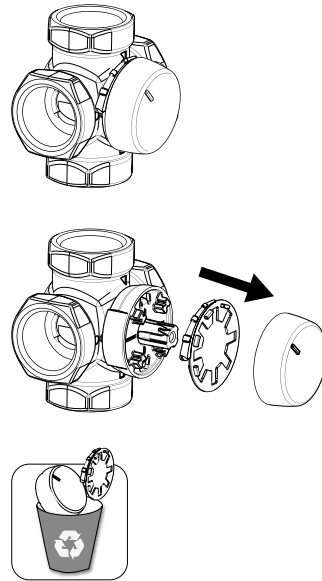
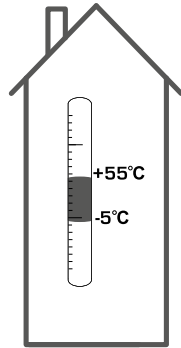
ESBE SERIES ARA600 3-Point



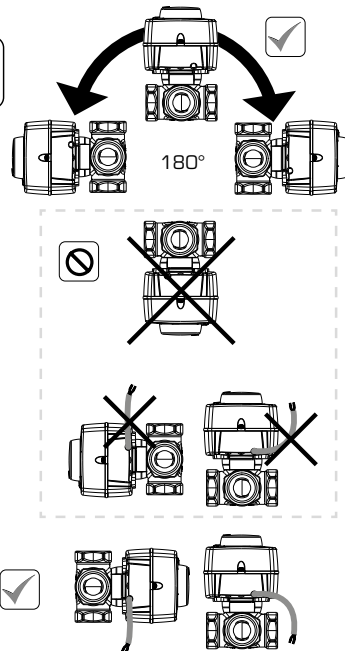
Series ARA6x1
Series ARA6x2
Series ARA6x3
Series ARA6x4



LVD 2014/35/EU
EMC 2014/30/EU
RoHS3 2015/863/EU

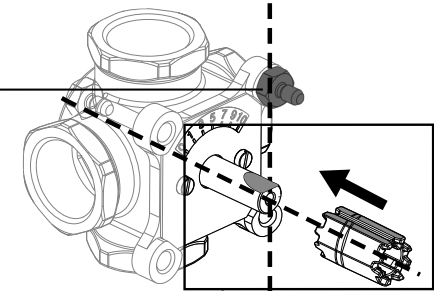


IP44 POSITION

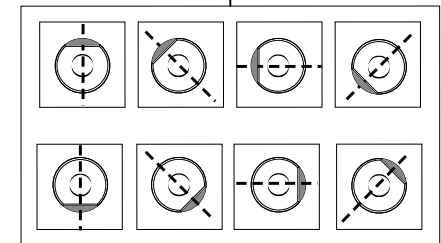
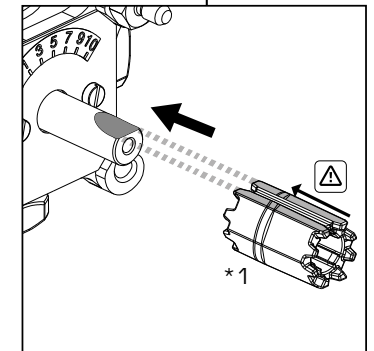


Series MG, G, F, H, HG, BIV, T, TM

	DN15-25	
	DN20-40	
	DN50	
	DN20-25	
	DN32-50	
	H: DN25	
	H: DN32-50	
	HG: DN25	
	DN20-22	
	DN25	
	T: DN20-32	
	TM: DN20	

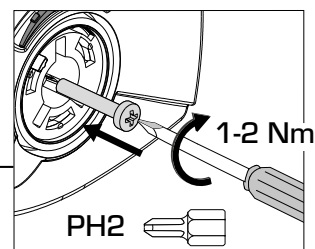
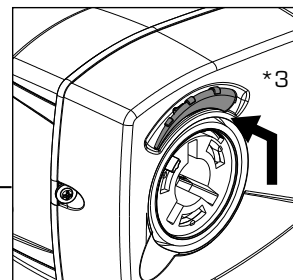
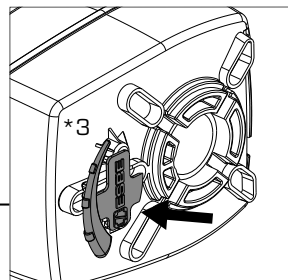
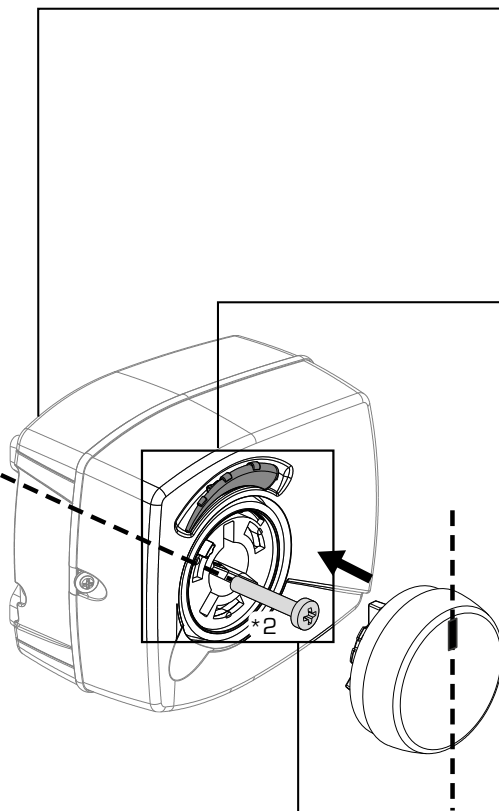
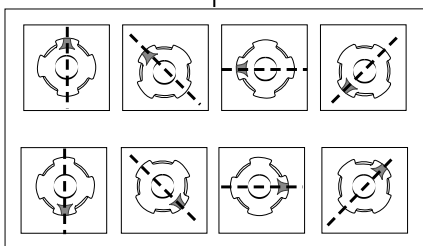
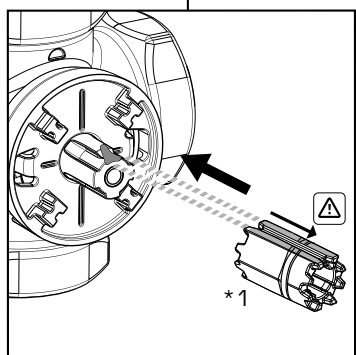
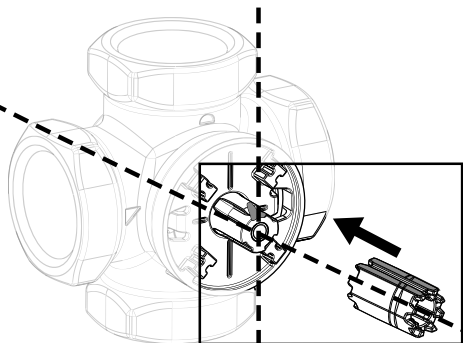


Kit	*Parts
	*1
	*2
	*3



Series VRGxxx, VRBxxx, VRHxxx

Series VRCxxx



ESBE AB
Bruksgatan 22
SE-333 75 Reftetele
www.esbe.eu



Mtrl.no. 98140275 • Dwg. 8081 Vers. L • Rev. 2024-09-01

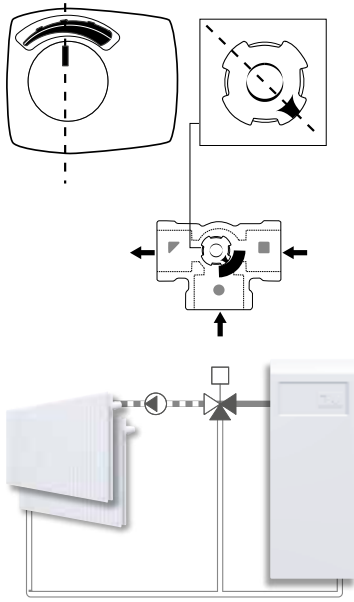


SERIES ARA600 3-Point

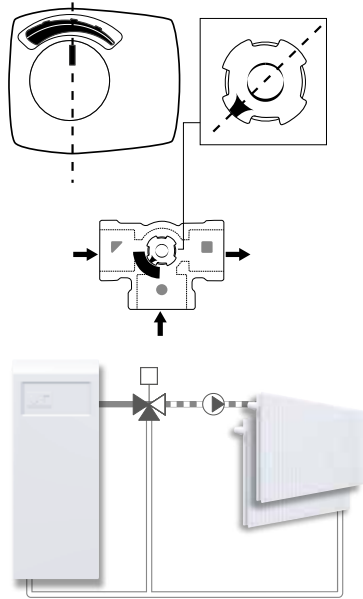


SERIES VRG130

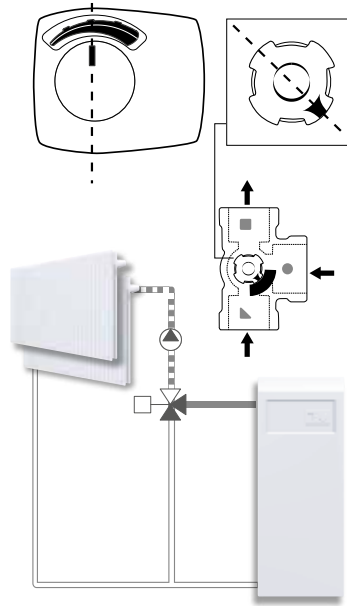
a



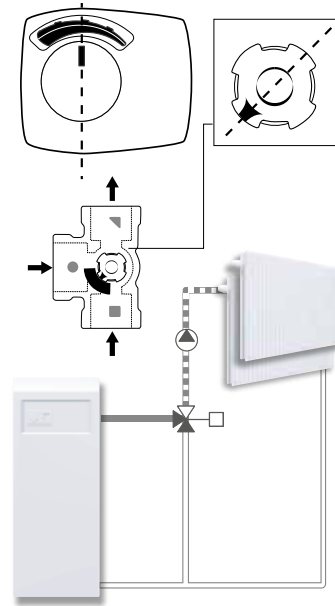
b



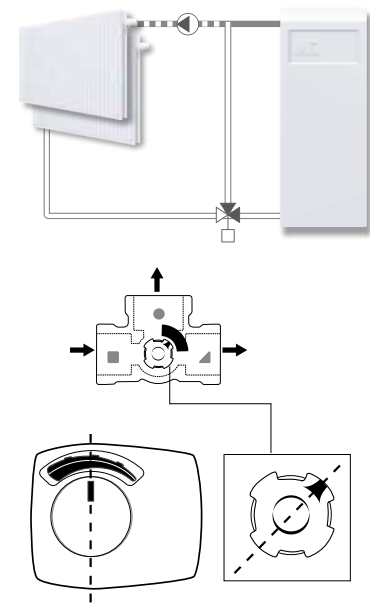
c



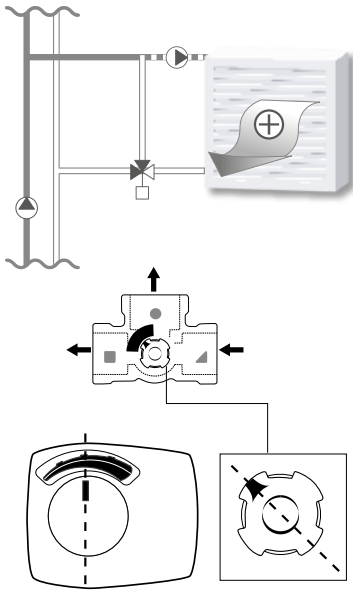
d



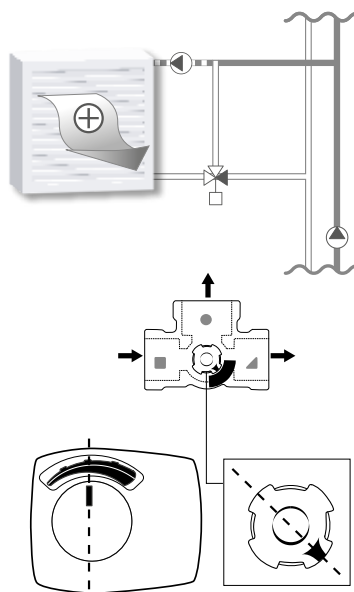
e



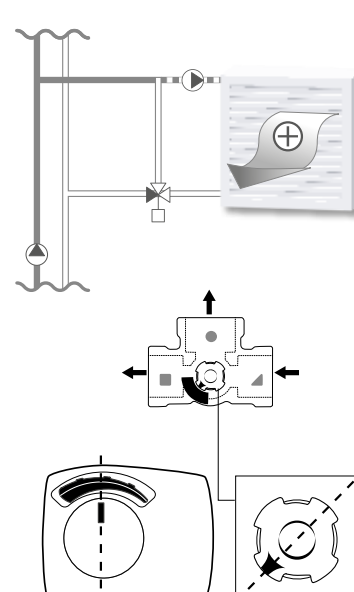
j



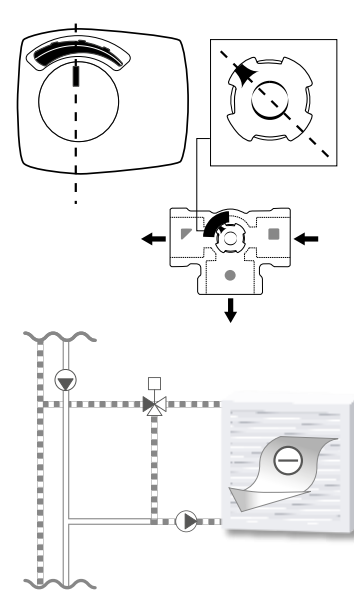
k



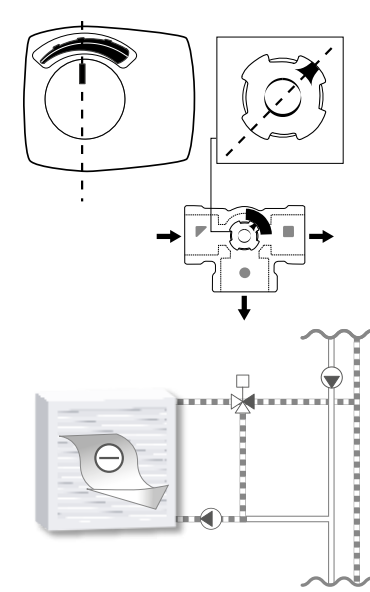
l

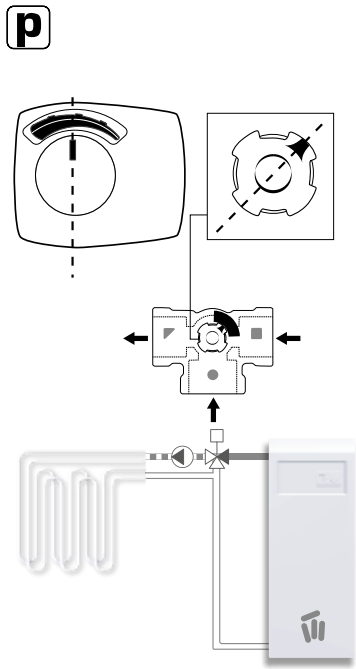
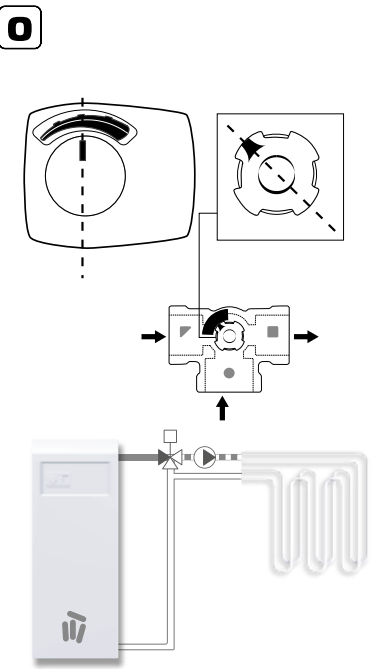
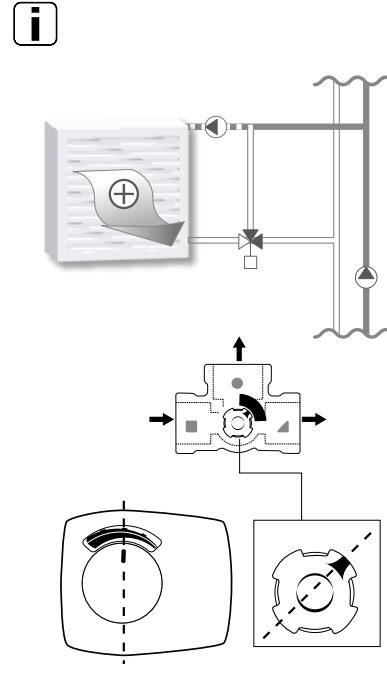
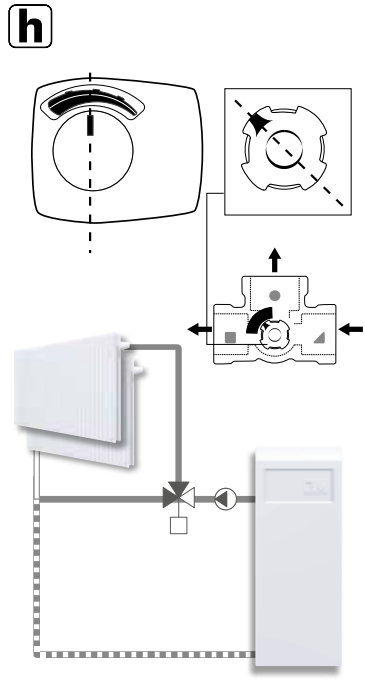
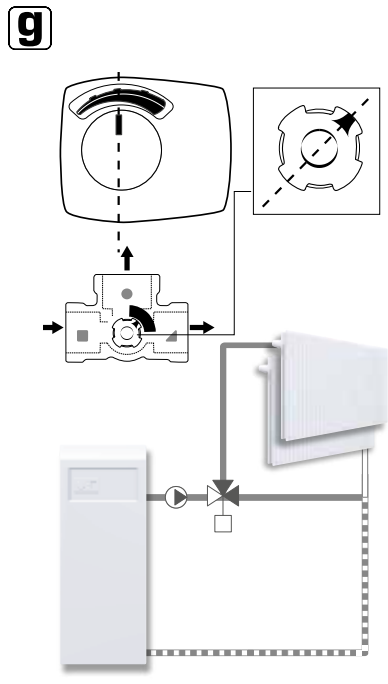
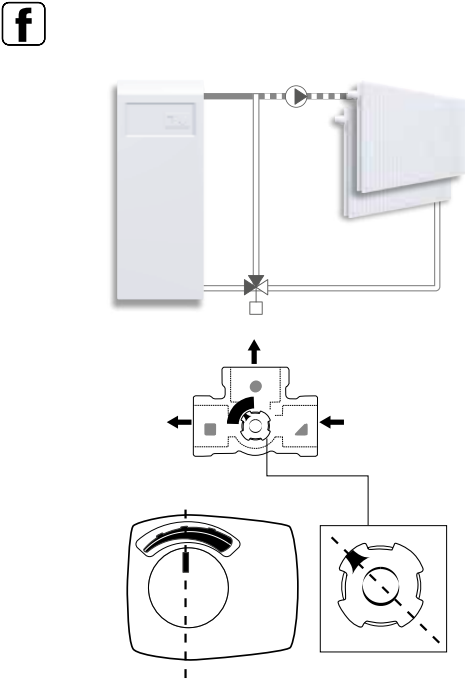


m

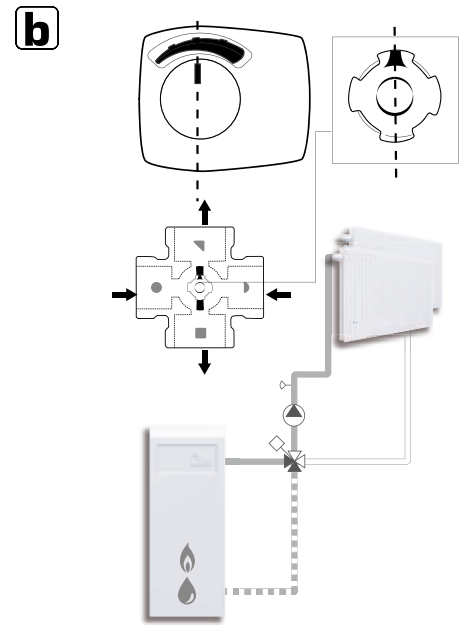
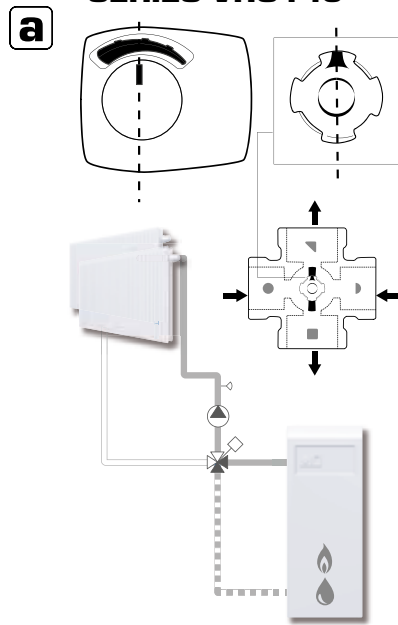


n

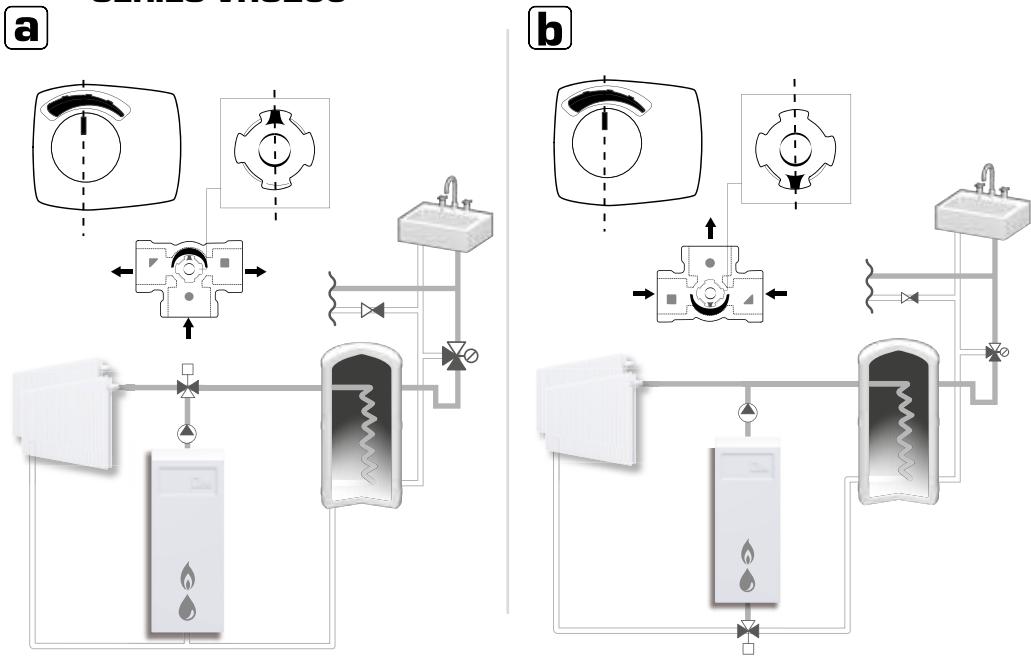




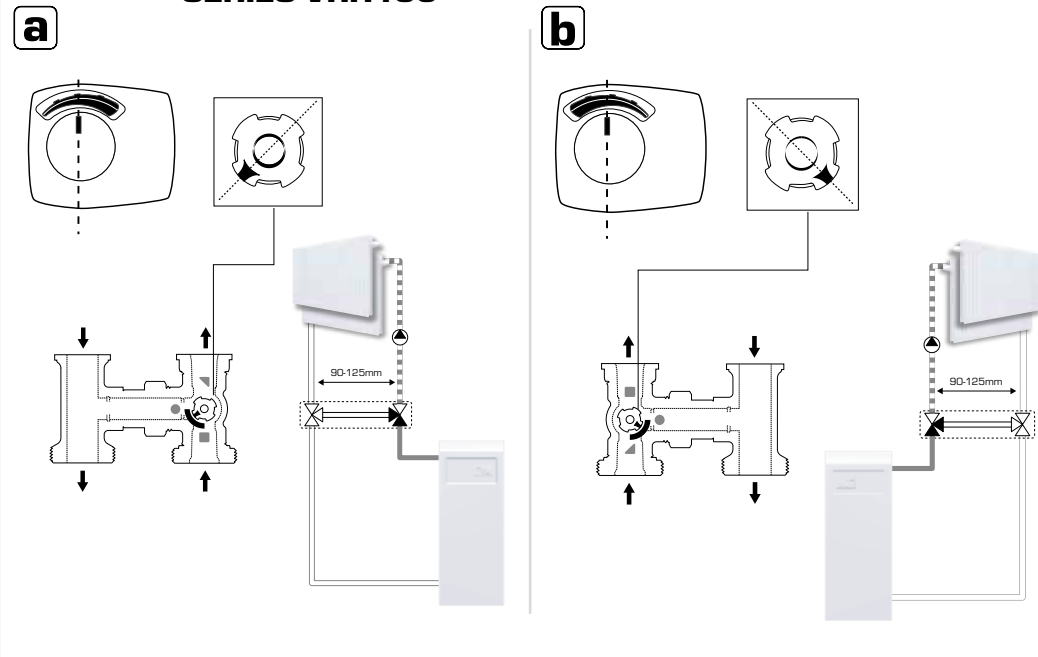
SERIES VRG140



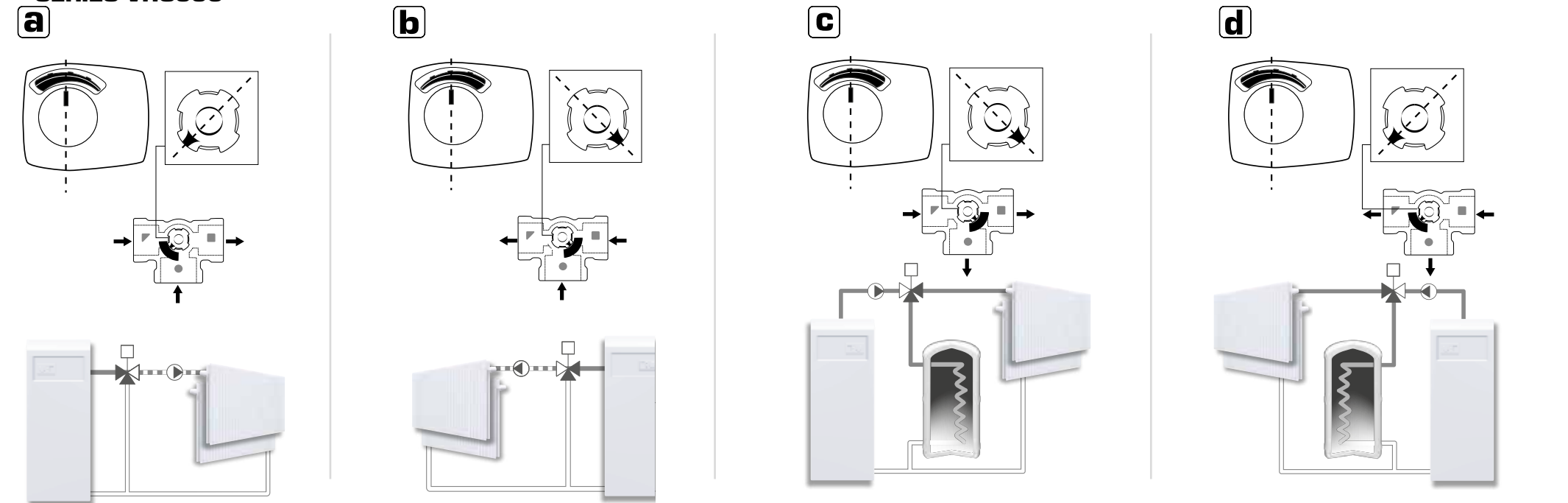
SERIES VRG230



SERIES VRH130

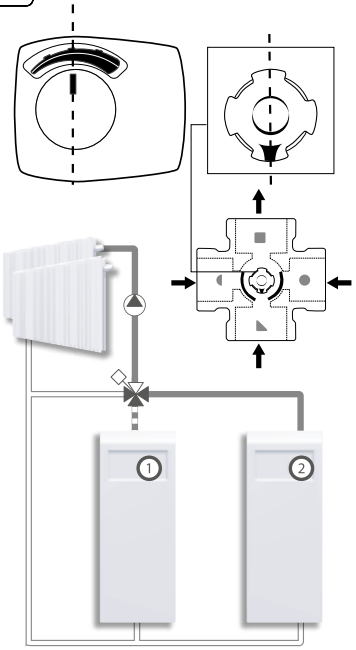


SERIES VRG330

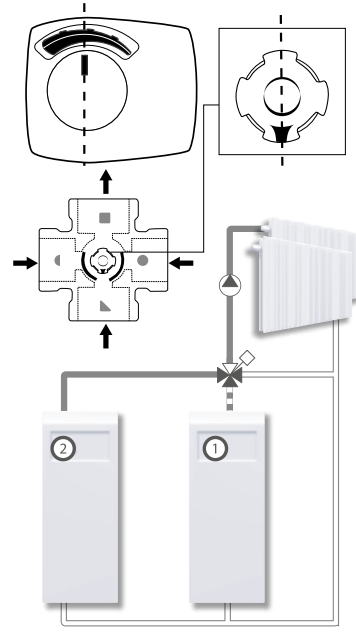


SERIES VRB140

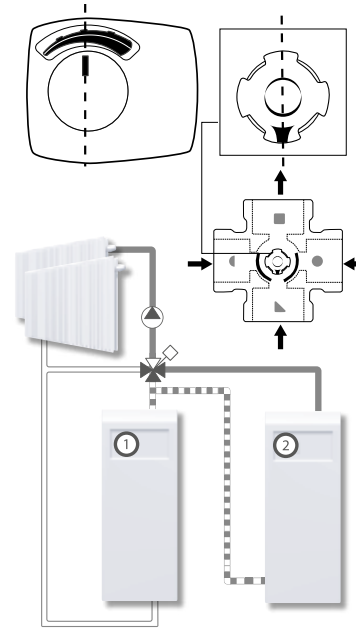
a



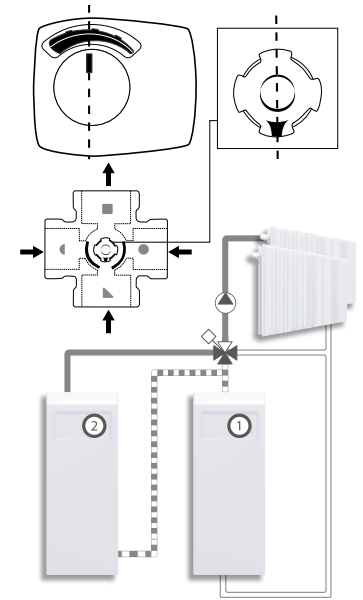
b



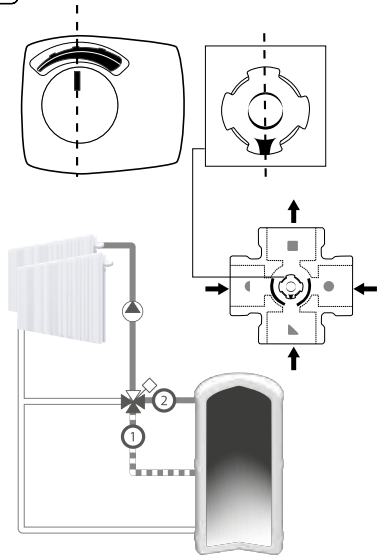
c



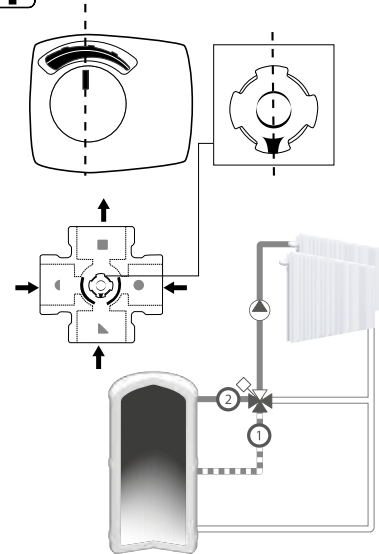
d



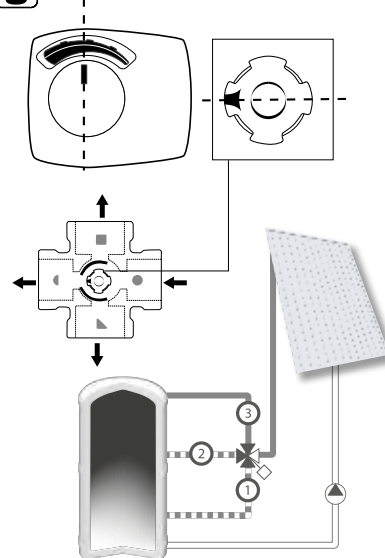
e



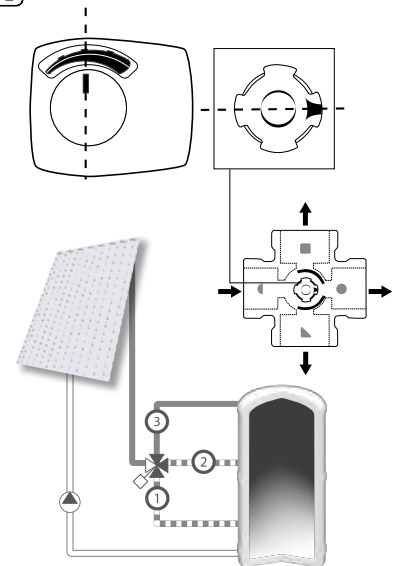
f



g

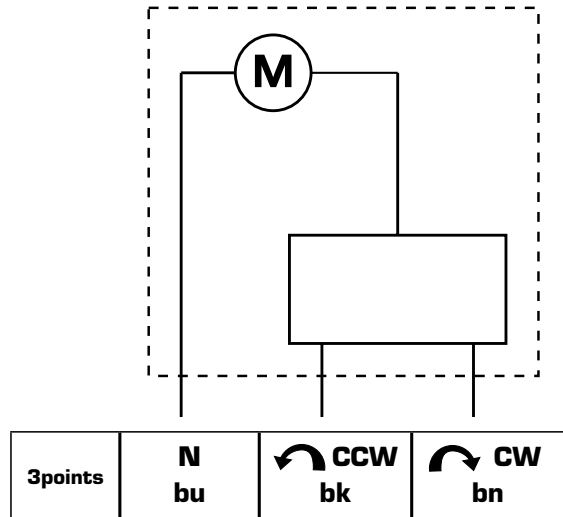


h

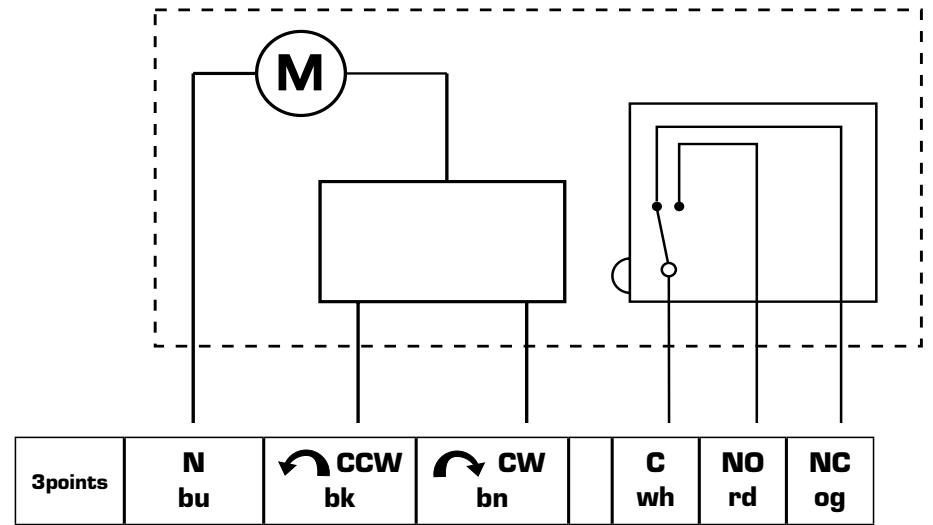




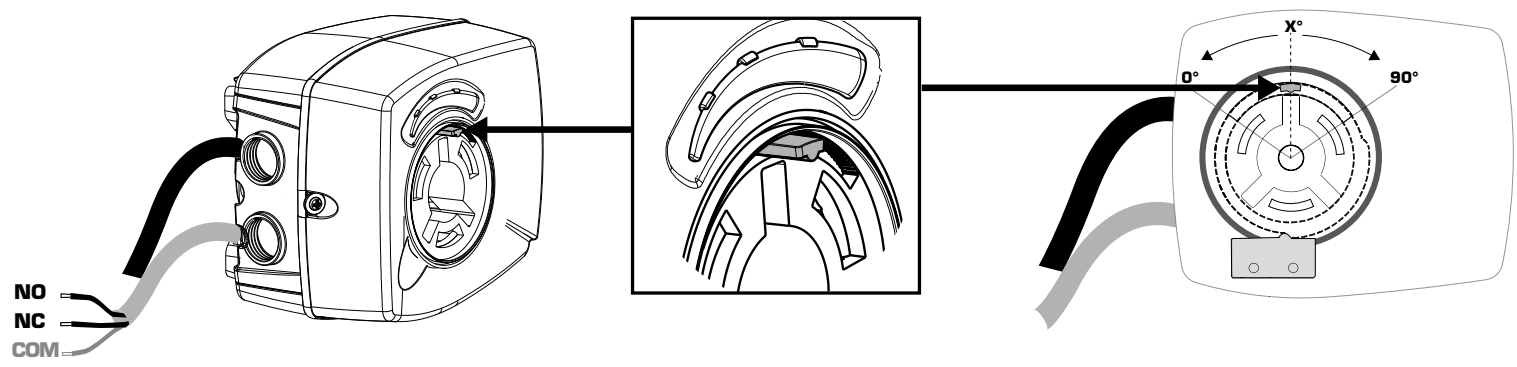
Series ARA6x1, ARA6x3



Series ARA6x2, ARA6x4



Series ARA6x2, 6x4



	0° - (90° - x°)	(90° - x°) - 90°
NO		
NC		
	X° = 45°	

